


M60SG CEILING FAN

150cm (60") 



 White



 Black

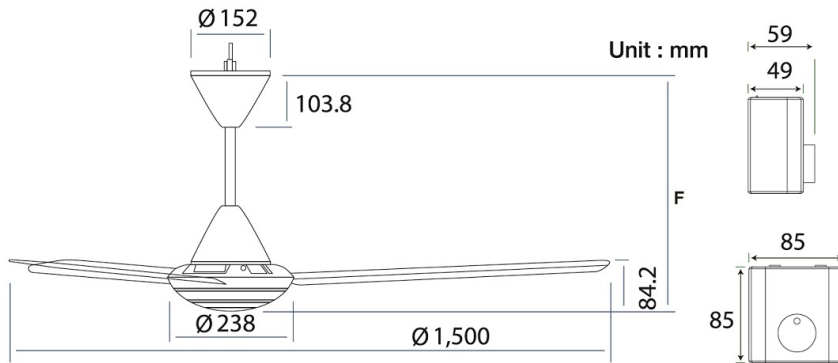
Features

- 5-speed selection
- Thermal fuse prevent overheating
- safety wire cut-off safety switch provided
- Fall prevention of blade adopted
- Permanently lubricated ball-bearing assembly



5-speed Regulator

Dimensions



Pipe Type	Length	F
9 inch	229	375.7
12 inch	305	451.7
18 inch	457	603.7

Specifications

M60SG	WATTAGE		R.P.M		AIR VELOCITY		AIR DELIVERY	
	low	high	low	high	m/min.	ft/min.	m ³ /min.	ft ³ /min.
	16	71	97	233	160	525	225	7,945



The Leader in Fan Technology

www.kdk.sg

Distributed By:

Choo Chiang Marketing Pte Ltd

(a subsidiary of Choo Chiang Holdings Ltd)

did: +65 6368 5922 | fax: +65 6363 5922

Head Office: 10 Woodlands Loop S(738388)

website: www.choochiang.com | facebook: facebook.com/choochiang.sg



CHOO CHIANG

SINGAPORE QUALITY CLASS



ISO9001 CERTIFIED