

DC CEILING FAN

E48HP

Ceiling fan with Wi-Fi and apps control.

- Wi-Fi and Apps Control
- New design ABS-C Blade material for durability
- New 3D Blade Design
- Direct Current (DC) Motor Adopted
- 10-Speed Control
- Sleep Mode with 24-h ON/OFF Timer
- 1/f Yuragi Function
- World's First Patented Safety Design



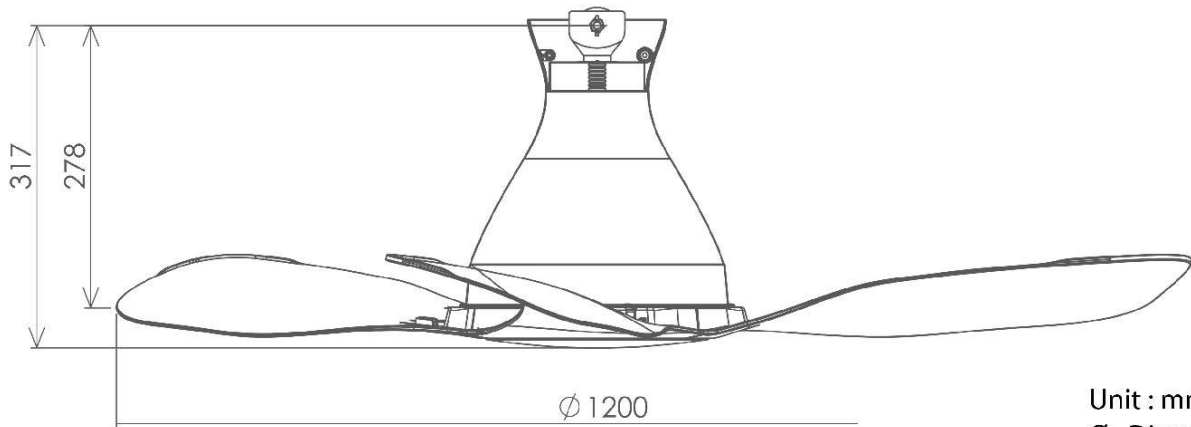
Brown



Matte White



TECHNICAL SPECIFICATIONS



Unit : mm
Ø : Diameter

VOLTAGE		CONSUMPTION(W)		R.P.M	AIR VELOCITY		AIR DELIVERY		WEIGHT
[V]	[Hz]	Fan		[min ⁻¹]	[m/min]	[ft/min]	[m ³ /min]	[ft ³ /min]	[kg]
230	50	31		170	185	607	200	7,063	5.2

Distributed By:

Choo Chiang Marketing Pte Ltd

(a subsidiary of Choo Chiang Holdings Ltd)

did: +65 6368 5922 | fax: +65 6363 5922

Head Office: 10 Woodlands Loop S(738388)

website: www.choochiang.com | facebook: facebook.com/choochiang.sg



CHOO CHIANG

SINGAPORE
QUALITY CLASS



ISO9001
CERTIFIED