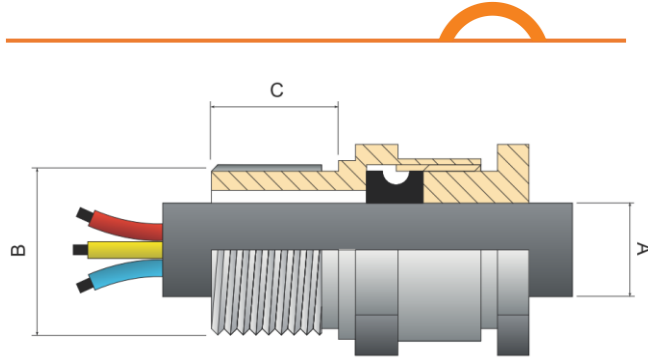


Cable Gland



Technical info

Gland Size	Entry Thread		Cable Acceptance Detail		
	Dia.B	Length Minimum C	Dia."A"Max	Across Flat	Across Corner
16 L	16	10	3.50 - 9.00	21.00	24.00
20 S	20	15	8.00 - 11.70	22.50	25.00
20 L	20	15	11.00 - 14.00	24.00	26.60
25 S	25	15	12.00 - 17.00	27.00	30.50
25 L	25	15	13.00 - 20.50	29.50	33.00
32 S	32	15	16.50 - 23.00	35.00	38.50
32 L	32	15	19.00 - 26.30	39.00	43.00
40 S	40	20	23.00 - 29.00	43.00	48.00
40 L	40	20	25.00 - 33.00	46.00	51.00
50 S	50	20	31.50 - 39.00	56.00	62.00
50 L	50	20	36.50 - 44.00	62.00	68.00
63 S	63	20	42.50 - 50.00	66.00	73.00
63 L	63	20	48.00 - 56.00	72.00	79.00
75 S	75	20	54.50 - 62.00	77.00	85.00
75 L	75	20	60.50 - 68.00	86.00	95.00
90 L	90	20	67.00 - 79.00	100.00	112.00

Type	A2
Design Specification	BS:6121:Part 1: 1989
Ingress Protection Rating	IP66
Standard Gland Material	Brass
Optional Gland Material	Nickel Plated Brass
Cable Type	Unarmoured
Sealing Ares(s)	Cable Outer Sheath
Available Accessories	Steel/Brass Locknut,PVC/LSF Shroud Brass Earth Tag, Nylon Washer, Brass Reducer

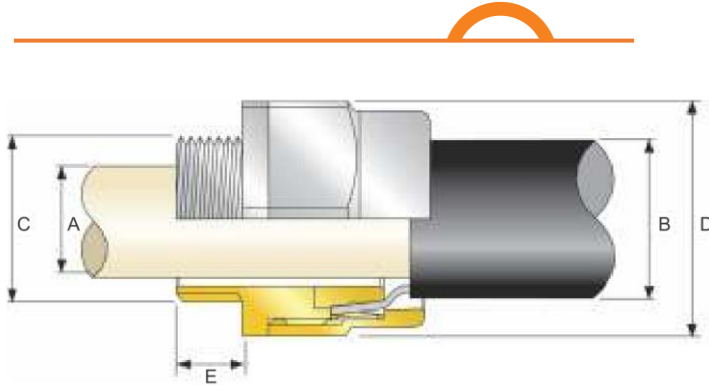
Stock code

No.	Description
CGHA16L.	CCM A2 16L BRASS HOT GLAND (16MM)
CGHA16S.	CCM A2 16S BRASS HOT GLAND (16MM)
CGHA20L.	CCM A2 20L BRASS HOT GLAND (20MM)
CGHA20S.	CCM A2 20S BRASS HOT GLAND (20MM)
CGHA25L.	CCM A2 25L BRASS HOT GLAND (25MM)
CGHA25S.	CCM A2 25S BRASS HOT GLAND (25MM)
CGHA32L.	CCM A2 32L BRASS HOT GLAND (32MM)
CGHA32S.	CCM A2 32S BRASS HOT GLAND (32MM)
CGHA40L.	CCM A2 40L BRASS HOT GLAND (40MM)
CGHA40S.	CCM A2 40S BRASS HOT GLAND (40MM)
CGHA45L.	CCM A2 45L BRASS HOT GLAND (45MM)
CGHA50L.	CCM A2 50L BRASS HOT GLAND (50MM)
CGHA50S.	CCM A2 50S BRASS HOT GLAND (50MM)
CGHA63L.	CCM A2 63L BRASS HOT GLAND (63MM)
CGHA63S.	CCM A2 63S BRASS HOT GLAND (63MM)
CGHA75L.	CCM A2 75L BRASS HOT GLAND (75MM)
CGHA75S.	CCM A2 75S BRASS HOT GLAND (75MM)

CCM brass indoor cable gland is used with all types of unarmoured cable, providing mechanical cable retention. sealing is provided on the cable outer sheath. The CCM A2 range of industrial cable gland is designed and tested as per BS 6121:Part 1:1989 and complies to the requirements of EN 50262:1999.

Note: Due to continuous development and improvement, our company reserves the right to change specification without notice.

BW Armoured Gland



Technical info

Gland Size	Entry Thread		Cable Acceptance Detail			Across Flat D	Across Corner
	Dia.C	Length Minimum E	Dia."A" Max	Dia."B" Max	Armour Diameter		
20 S	20	9	11.60	16.00	0.9/1.25	21.50	24.50
20 L	20	9	14.00	20.00	0.9/1.25	24.00	27.30
25 S	25	9	19.00	24.00	1.25/1.60	30.50	34.00
25 L	25	9	20.50	26.50	1.25/1.60	32.00	35.50
32 S	32	9	23.00	29.50	1.60/2.00	34.50	39.00
32 L	32	10	27.00	33.00	1.60/2.00	39.00	44.00
40 S	40	10	30.00	37.00	1.60/2.00	44.50	49.00
40 L	40	10	33.50	41.00	1.60/2.00	47.00	53.50
50 S	50	11	40.00	47.50	2.00/2.50	56.00	62.00
50 L	50	11	44.00	52.60	2.00/2.50	60.00	67.50
63 S	63	14	50.50	60.00	2.50	69.00	78.00
63 L	63	14	56.00	66.00	2.50	74.50	84.00
75 S	75	15	62.00	72.00	2.50	82.00	93.00
75 L	75	15	68.00	78.00	2.50	87.00	99.00
90 L	90	20	79.00	90.00	2.50/3.15	105.00	117.00

Type	BW 4 Part
Design Specification	BS:6121:Part 1: 1989
Standard Gland	
Material	Brass
Optional Gland	
Material	Nickel Plated Brass
Cable Type	Single Wire Armour (SWA)
Armour Clamping	Clamping Ring
Available Accessories	Steel/Brass Locknut/LSF Shroud Brass Earth Tag, Nylon Washer, Brass Reducer

Stock code

No.	Description
CGAB01.	CCM B/120S BRASS ARMoured GLAND (3/4"S)
CGAB02.	CCM B2/20L BRASS ARMoured GLAND (3/4"L)
CGAB03.	CCM B3/25S BRASS ARMoured GLAND (1"S)
CGAB04.	CCM B4/25L BRASS ARMoured GLAND (1"L)
CGAB05.	CCM B5/32S BRASS ARMoured GLAND (1 1/4"S)
CGAB06.	CCM B6/32L BRASS ARMoured GLAND (1 1/4"L)
CGAB07.	CCM B7/40S BRASS ARMoured GLAND (1 1/2"S)
CGAB08.	CCM B8/40L BRASS ARMoured GLAND (1 1/2"L)
CGAB09.	CCM B9/50S BRASS ARMoured GLAND (2"S)
CGAB10.	CCM B10/50L BRASS ARMoured GLAND (2"L)
CGAB11.	CCM B11/63S BRASS ARMoured GLAND (2 1/2"S)
CGAB12.	CCM B12/63L BRASS ARMoured GLAND (2 1/2"L)
CGAB13.	CCM B13/75S BRASS ARMoured GLAND (3"S)
CGAB14.	CCM B14/75L BRASS ARMoured GLAND (3"L)

CCM BW 4 Part Type brass indoor cable gland is used with all types of Single Wire Armour (SWA) cable providing mechanical cable retention and electrical continuity thru armour wire termination. The BW design offers the benefit of a longer body to protect the armour wires from impact. This cable gland is designed and tested to BS6121:1989 and complies to the requirement of EN50262:1999

Note: Due to continuous development and improvement, our company reserves the right to change specification without notice.

Brass Earth Tag



Product info

Earth Tags are available from 16mm to 90mm

Stock Code

No.	Description
EATB10.CCM	CCM B10 BRASS EARTH TAG (21/2")
EATB12.CCM	CCM B1/B2 BRASS EARTH TAG (3/4")
EATB1213.CCM	CCM B12/B13 BRASS EARTH TAG (3")
EATB34.CCM	CCM B3/B4 BRASS EARTH TAG (1")
EATB5.CCM	CCM B5 BRASS EARTH TAG (11/4")
EATB67.CCM	CCM B6/B7 BRASS EARTH TAG (11/2")
EATB89.CCM	CCM B8/B9 BRASS EARTH TAG (2")

Note: Due to continuous development and improvement, our company reserves the right to change specification without notice.

Cable Gland Shroud



Product info

PVC Shrouds are available to suit each size of Cable Gland and denotes Gland Size. LSF Shrouds are also available.

Stock code

No.	Description
CGS20L.	CCM 20L CABLE GLAND SHROUD
CGS20S.	CCM 20S CABLE GLAND SHROUD
CGS25L.	CCM 25L CABLE GLAND SHROUD
CGS25S.	CCM 25S/2027 CABLE GLAND SHROUD
CGS32L.	CCM 32L CABLE GLAND SHROUD
CGS32S.	CCM 32S CABLE GLAND SHROUD
CGS40L.	CCM 40L CABLE GLAND SHROUD
CGS50S.	CCM 50S CABLE GLAND SHROUD

Note: Due to continuous development and improvement, our company reserves the right to change specification without notice.