

Self-contained White LED Emergency Twin Light

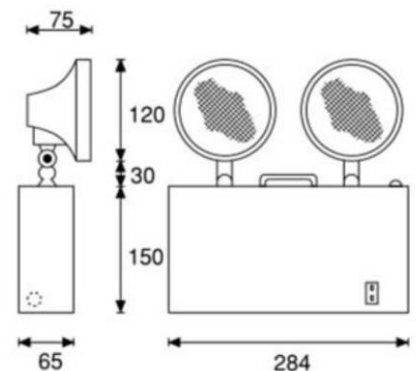
Designed with low EMI and specially equipped with a customised proprietary Hybrid IC for higher reliability and greater efficiency in operation. Compact, lightweight, easy to install, portable and caters to a variety of usages. Adjustable twin lamps allows flexibility in various angle of projection.

Suitable for Shops, Supermarkets, Factories, Schools, Banks, Computer Rooms, Offices, Public Halls, Restaurants, Hospitals, etc.



Technical info

Input Voltage	230/240Vac 50/60Hz $\pm 10\%$ or 115Vac 50/60Hz $\pm 10\%$ or others
Battery	2.4V 2.5Ah/4.5Ah High Temp Rated Nickel Cadmium cells
Lamp Used	2 x SMT NICHIA White LED (T = 3W)
Rated Period	>3 hours, 5 hours or others
Mode	Non-maintained
Operation Temperature	ta 40 °C
Charge Monitor	Super Bright Green LED 5mm \varnothing
Recharge Period	16 ~ 24 hours
Emergency Luminance	50Lux(1m-90°) ²
Electromagnetic Field	8.7m gauss @ 0.1m
Charger	Hybrid controlled charger
Protection	Low volt cut-off to prevent battery over discharge Incoming AC fuse and Battery DC fuse Tropical climate protection coating on hybrid control circuit
Construction	Electrode galvanised sheet steel with epoxy powder coating 20mm \varnothing K/O hole, Fire Retardant ABS Lamp Head
Dimension	285mm(L) x 95mm(W) x 310mm(H)
Packing	One unit per carton
Carton/Dimension	Double wall corrugated / 310mm(L) x 100mm(W) x 335mm(H)
Compliance	SS563:Part1:2010,SS563Part2:2010andSSIEC60598-2-22:2016
Warranty	1 year



HYBRID IC CONTROLLED SELFCONTAINED EMERGENCY LED TWIN LIGHT SUPER BRIGHT 1W SMT NICHIA WHITE LED LAMP LOW POWER CONSUMPTION

Stock code

No.	Description
EXLTLATLEDP.CCM	CCM CTL208-LED EMERGENCY LIGHT (PSB)

- (1) Other signs are available upon request
(2) Colors are available upon request

Note
Due to continuous development and improvement, our company reserves the right to change specification without notice.