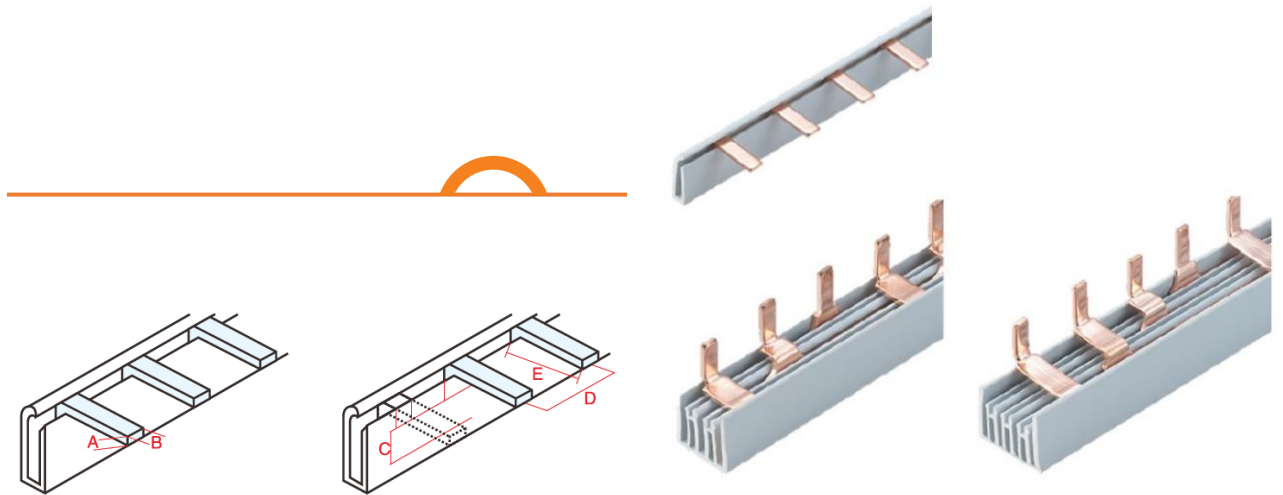
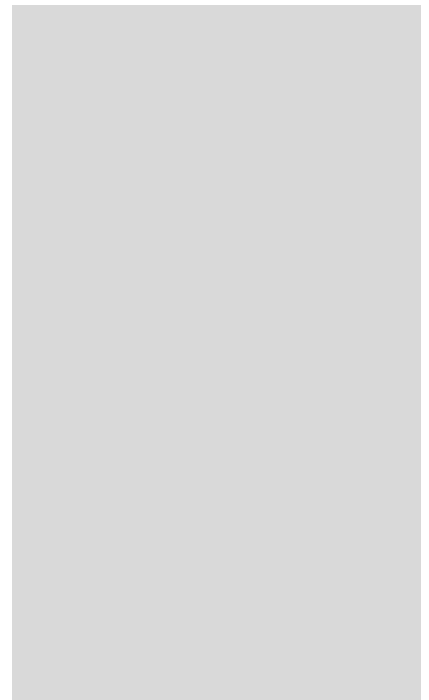


Busbar Pin



Technical Info

Specification	A	B	C	D	E	Cross-sectional area	Reference current
Pin	1.4	4	7	17.8	11.5	13mm ²	63A
Pin	1.5	4	9	17.8	11.5	13mm ²	80A
Pin	1.7	4	9	17.8	11.5	16mm ²	100A



Stock Code

No.	Description
BB-KB3100.CCM	CCM 3P BUSBAR (PIN)
BB-KB4100.CCM	CCM 4P BUSBAR(PIN)
BB-KB190.	CCM KB190B 1P BUSBAR (PIN)