

Masterseal™ Compact



Ingress Protected IP 66

Masterseal™ Compact



Ingress Protected IP 66

The new and innovative Masterseal™ Compact range of switches and sockets from MK, has been specifically designed for use in either outdoor or indoor environments and in areas heavily exposed to dust and splashing water. Sealed to IP66 and tested by MK well in excess of British Standard, it will protect you and your electrical supply in the unfriendliest of environments.

In addition to its ease of installation, the range is aesthetically pleasing with a modern, slim and curved design, allowing the switches and sockets to blend easily with their surroundings.

Waterproof and Dustproof

Offers protection from strong jets of water from any direction, and protection from dust, sawdust and small particles

Durable Material

The use of high quality plastic prevents discoloration, cracking or fading in UV light

Temperature Tolerant

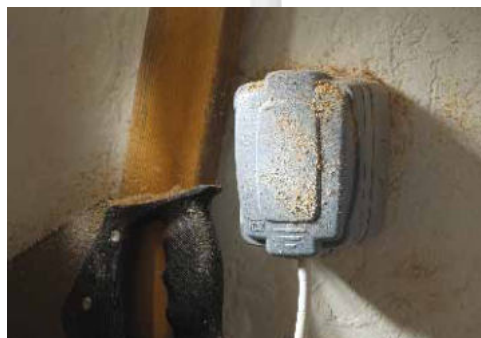
Reliable in operation during extremes of heat or cold

Robust Construction

A robust range of products made with polycarbonate, one of the toughest thermoplastics available in the world.



Water proof connection to safeguard home and family



Dust proof connection to safeguard work areas.



Masterseal™ Compact's unique design means socket outlets retain their IP66 rating when in use.



Socket Outlets

13 AMP & 15 AMP

Switches

10 AX



86486 WHI



86480 WHI



86893 GRY



86401 GRY



86402 GRY



86486 TC GRY



86772 GRY



86893 TC WHI



86401 TC WHI



86402 TC WHI

86486 GRY
86486 WHI
13AMP 1 gang SP
switched

86486 TC GRY
86486 TC WHI
13AMP 1 gang SP
switched with
Translucent Lid

86480 GRY
86480 WHI
13AMP 1 gang
unswitched

86772 GRY
86772 WHI
15AMP 1 gang
unswitched

86893 GRY
86893 WHI
15AMP 1 gang
switched

86893 TC GRY
86893 TC WHI
15AMP 1 gang
switched with
Translucent Lid

86401 GRY
86401 WHI
10AX 1 gang
2 way SP switch

86401 TC GRY
86401 TC WHI
10AX 1 gang
2 way SP switch with
Translucent Lid

86402 GRY
86402 WHI
10AX 2 gang
2 way SP switch

86402 TC GRY
86402 TC WHI
10AX 2 gang
2 way SP switch with
Translucent Lid

Ingress Protected IP66

Switches

10 AX

10 AMP

Connection Unit

13 AMP

Switch Modular

20 AMP



86403 WHI



86407B GRY



86407P WHI



86072 WHI



86423 GRY



86403 TC GRY



86407B TC GRY



86407P TC GRY



86072 TC GRY



86423 TC WHI

86403 GRY
86403 WHI
10AX 3 gang
2 way SP switch

86403 TC GRY
86403 TC WHI
10AX 3 gang
2 way SP switch with
Translucent Lid

86407B GRY
86407B WHI
10AMP 1 gang
1 way SP push switch
marked 'BELL'

86407B TC GRY
86407B TC WHI
10AMP 1 gang
1 way SP push switch
marked 'BELL' with
Translucent Lid

86407P GRY
86407P WHI
10AMP 1 gang
1 way SP push switch
marked 'PRESS'

86407P TC GRY
86407P TC WHI
10AMP 1 gang
1 way SP push switch
marked 'PRESS' with
Translucent Lid

86072 GRY
86072 WHI
13AMP switched fused
connection unit with
front flex outlet

86072 TC GRY
86072 TC WHI
13AMP switched fused
connection unit with
front flex outlet with
Translucent Lid

86423 GRY
86423 WHI
1 gang 20AX
DP switch with neon

86423 TC GRY
86423 TC WHI
1 gang 20AX
DP switch with neon and
Translucent Lid



Masterseal™ Compact

Ingress Protected IP66

Voice Outlet

RJ 11



86431 GRY



86503 GRY



86432 GRY



86504 GRY



86817 GRY



86431 TC WHI



86503 TC WHI



86432 TC WHI



86504 TC GRY

86431 GRY*
86431 WHI*
20AX 1 gang 2 way
SP switch

86431 TC GRY*
86431 TC WHI*
20AX 1 gang 2 way
SP switch with
Translucent Lid

86503 GRY*
86503 WHI*
20AX 1 gang 1 way
DP switch

86503 TC GRY*
86503 TC WHI*
20AX 1 gang 1 way
DP switch with
Translucent Lid

86432 GRY*
86432 WHI*
20AX 2 gang 2 way SP
switch

86432 TC GRY*
86432 TC WHI*
20AX 2 gang 2 way
SP switch with
Translucent Lid

86504 GRY*
86504 WHI*
20AX 2 gang 1 way DP
switch

86504 TC GRY*
86504 TC WHI*
20AX 2 gang 1 way
DP switch with
Translucent Lid

86817 GRY
86817 WHI
1 gang RJ11 4 Wire
telephone socket

Ingress Protected IP66

Socket Outlet

Data & Voice Outlets

Accessories

Frontplate

Data & Voice Module



86151 GRY



86891 GRY



86450 WHI



86837 WHI



86891 TC WHI



86451 WHI

A complete product of
86450 WHI &
SX5453 WHI



SX5452 WHI



SX5453 WHI

86151 GRY*
86151 WHI*
16AMP 1 gang Schuko
socket

86837 GRY*
86837 WHI*
16AMP 1 gang un-
switched International
socket

86891 GRY*
86891 WHI*
5AMP 1 gang SP
switched socket outlet

86891 TC GRY*
86891 TC WHI*
5AMP 1 gang SP
switched socket outlet
with Translucent Lid

86450 GRY
86450 WHI
1 gang euro plate
1 module

86451 GRY
86451 WHI
1 gang euro plate
2 modules

SX5452 WHI
1 module blank plate
(For use with
86450 WHI/
86451 WHI)

SX5453 WHI
1 module adaptor
(For use with
86450 WHI/
86451 WHI)



SX5454 WHI



SX5455 WHI



MB86504 GRY



MB86504 WHI



56462 WHI



56463 WHI



56464 WHI



56460 WHI



56461 WHI



9933

SX5454 WHI
RJ45 CAT 5e Jack

SX5455 WHI
RJ11 Jack

MB86504 GRY
MB86504 WHI
1 gang back box

56462 BLK
56462 WHI
20mm plain conduit
entry

56463 BLK
56463 WHI
20mm threaded
conduit entry

56464 GRY
56464 WHI
20mm box coupler

56460 GRY
56460 WHI
Conduit entries-blank

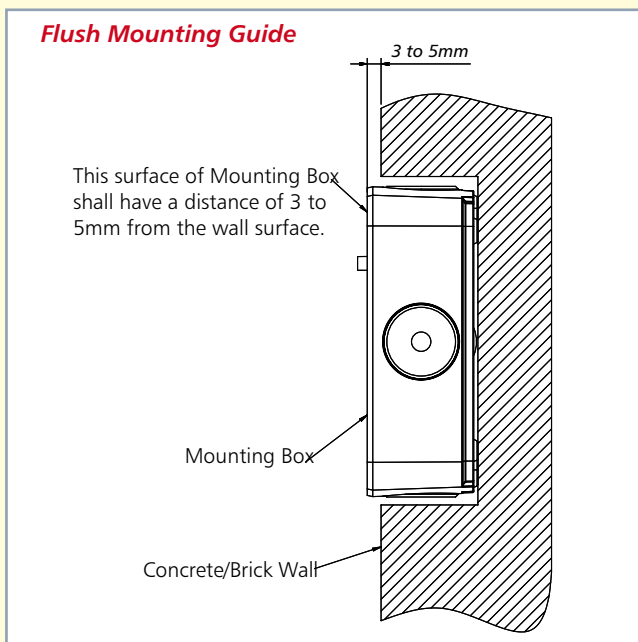
56461 BLK
56461 WHI
Conduit entries-direct
entry

9933
M20 earth lead
adaptor

Technical Information

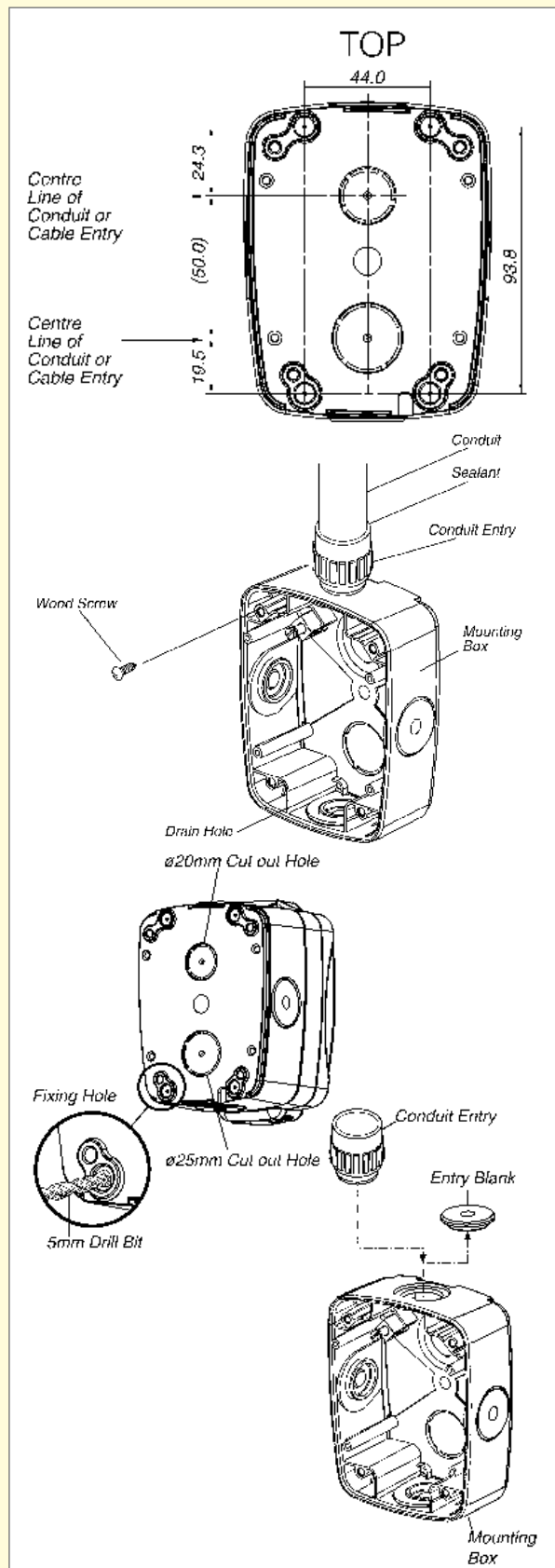
Product Range Features

- Surface mounted and flush mounted products and associated service items are available.
- If flush mounting is intended, the conduit cable entry shall be installed from the rear of the mounting box.



- Suitable for indoor and outdoor use wherever dirt and moisture protection is required. All products accept MK push in conduit and cable entries.
- The use of Polycarbonate for the housing of the products created a robust range of switches and socket outlets.
- Provided all enclosure lids are closed and the products are correctly installed, the Masterseal™ Compact range offers an international protection code of IP66 when the products are in or out of use.
- Only plugs that have cable entry from a side edge will allow the lid to close correctly.
- All products conform to their relevant National standard as well as the standard for enclosures BSEN/IEC60529. 13AMP Sockets conform to BS1363 : Part 2, connection units to BS1363:Part 4 and switches to IEC60669-1.

Installation Guide



Technical Information

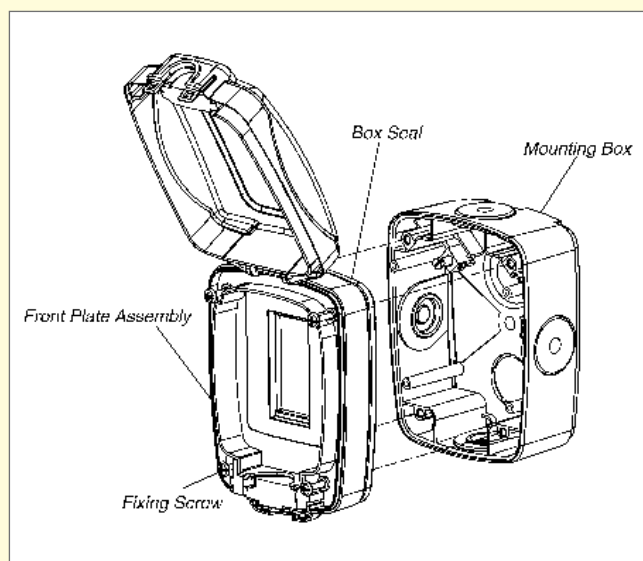
Service Items

List No.	Description	D x H mm
56460	Entry Blank	26.9 dia x 5.25
56461	PVC Cable Entry	26.9 dia x 10.15
56462	20mm Plain Conduit Entry	26.9 dia x 28
56463	20mm Threaded Conduit Entry	26.9 dia x 28
56464	Box Coupler	26.9 dia x 16.5
9933	M20 Earth Lead Adaptor	

Safety Instructions

Switch off and isolate the mains supply before carrying out installation of the Masterseal™ Compact product.

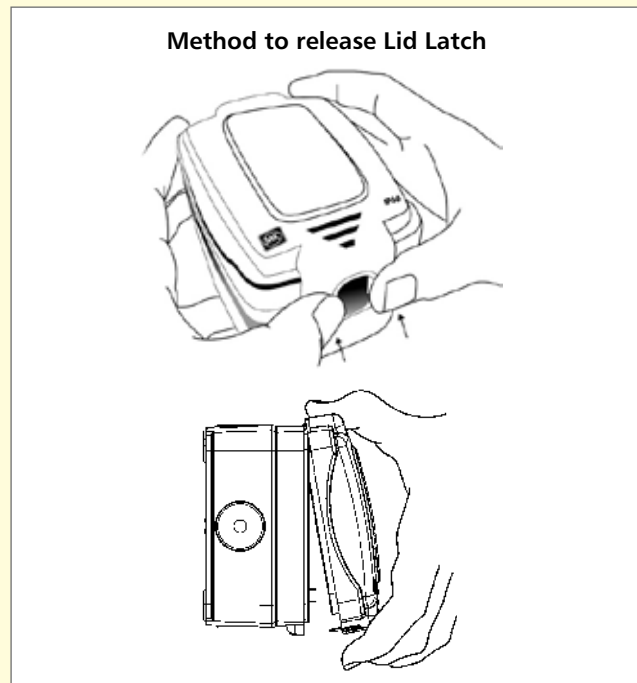
1. The Masterseal™ Compact Euro Data Enclosure 86540 and 86541 are intended for use with extra low voltage data and telephone modules. Data and telephone outlets must not be mixed with other modules intended for mains supply (110-250 VAC 50/60Hz).
2. This product should be installed by a competent person (eg. a qualified electrician).
3. It is essential that all connections are made as instructed, such that cables are not stressed and terminals are fully tightened.



The box seal is attached on the front plate. Ensure the holes are aligned and the slot in the seal is aligned with the ribs on the mounting box.

Wire and fit the front plate. Ensure the seal is correctly located and no cables are trapped.

User Guide



The full IP66 rating is only achieved when the lid is clipped in the closed position.

Do not operate with damp hands or whilst it is raining.

For the enclosure of a socket-outlet, ensure the cable to the appliance is positioned so as to pass through the gel seal before closing the lid, thereby preventing accidental damage to the cable. The gel seal may stain the cable sleeve, this does not cause harm to the cable.

Specification

This product complies with the following standard.

General	BS 5733
13A Socket-outlet	BS 1363-2
15A Socket-outlet	BS 546
Connection Unit	BS 1363-4
Switch	IEC 60669-1
Environmental Protection	BSEN/IEC60529
Operating Temperature	-5°C to +40°C
Material	Polycarbonate UV stabilised

IP	6	6
Ingress protection	Dustproof to sawdust, dust and other small particles	Waterproof to strong jets of water, from any direction

MK ELECTRIC



Distributed By

Choo Chiang Marketing Pte Ltd

(a subsidiary of Choo Chiang Holdings Ltd)

Tel: +65 6368 5922 | fax: +65 6363 5922

Head Office: 10 Woodlands Loop S(738388)

website: www.choochiang.com | facebook: facebook.com/choochiang.sg



CHOO CHIANG

SINGAPORE
QUALITY CLASS



bizSAFE₃

ISO9001
CERTIFIED

Publication No: Masterseal_Compact_R4_1111



Ega
by Honeywell

Friedland))
by Honeywell