



Surface I Wiring Devices



range introduction

Switch-isolators from MK Electric are sturdily built to withstand more than just the vagaries of the weather. The entire range of MK isolating switches are exclusively designed to surpass uncompromising standards of total safety and reliability.

The MK Switch-Isolators range is yet another product line from MK Electric, the industry leader in product quality and safety standards for over 70 years.

When safety and quality matter most, choose MK. It's the logical choice.

features and benefits

Unique feature

MK switch-isolators are uniquely designed to be compact and neat in appearance — coupled with MK's renowned standard of quality, this allows the product to be placed unobtrusively in any outdoor location, no matter how exposed it is to the harsh effects of extreme heat, dust, rain and humidity.

The polycarbonate front cover has been deliberately chosen to withstand the rigours of outdoor environments.



Rigorously tested

MK switch-isolators are manufactured according to the strictest MK quality standards and the ISO 9000 quality system requirements.

All models are weatherproof as per IP66 and tested to IEC 60947-3 and BS EN 60947-3.

An important point to note is that MK switch-isolators are independently tested by renowned independent test authority, besides our own in-house testing.

Technical specification

	AC22A	AC23A
Standard specification	IEC 60947-3 & BS EN 60947-3	IEC 60947-3 & BS EN 60947-3
Number of pole	2P & 4P	2P & 4P
Rated operational current I_e	20A, 32A, 45A & 63A	20A, 32A, 45A, & 63A
Rated operational voltage U_e	240 / 415V	240V / 415V
Rated insulation voltage U_i	690V	690V
Rated impulse voltage U_{imp}	2.5KVp1.2/50 μ s	2.5KVp1.2/50 μ s
Rated frequency	50 / 60 Hz	50 / 60 Hz
Rated utilization category	AC22A	AC23A
Rated making capacity	3 I_e	10 I_e
Rated breaking capacity	3 I_e	8 I_e
Rated short-time withstand current I_{cw}	15 I_e for 1 $_s$	15 I_e for 1 $_s$
Rated short-circuit making capacity I_{cm}	3000A	4500A
Pollution degree	3	3
Degree of protection	IP 66	IP 66

Selection table for list no.

	20A	32A	45A	63A
2 P	M4418	M4417	M4419	M4421
4 P	M4414	M4413	M4420	M4422

E.g. order a List No. M4418 - 22 for a AC 22A, 20A 2 pole switch-isolator.



Easily installed

Easy installation is one of the key features and benefits offered by MK. Cable entry knockouts are provided at the top and bottom of the enclosure. They are suitable for use with any standard range of cable/conduit accessories.

Each unit is supplied with two adaptors for convenience of installation.

Caps for mounting screws are supplied so as to enhance the weatherproof feature. Screw caps are also provided to prevent dust from collecting in the screw recesses and are designed to flush with the surface giving a good aesthetic look of a screwless switch-isolator.

Application

Designed to IEC 60947-1 & 60947-3, the MK range of switch-isolators are suitable for purpose of:

- Isolating;
- Switching ON & OFF on-load;
- Emergency switching;
- Functional switching

It is designed for frequent switching even on severe load such as switching of motor loads or other highly inductive loads.

Suitable to be mounted indoor and outdoor for adverse environmental condition of pollution degree 3 and IP 66.

Safety and security

To meet safety requirements of wiring installation rules, the handle can be padlocked in the switch OFF position for controlling equipment that are remotely installed. This will ensure securing an Off-load isolation against any inadvertent and unauthorised operation.

There is also the option for padlocking in the ON position just by drilling a hole in the lever. Full instructions are provided in instruction sheet.

A first and innovative design that allows padlocking to be done using padlock with hasp of smallest diameter up to 7mm.

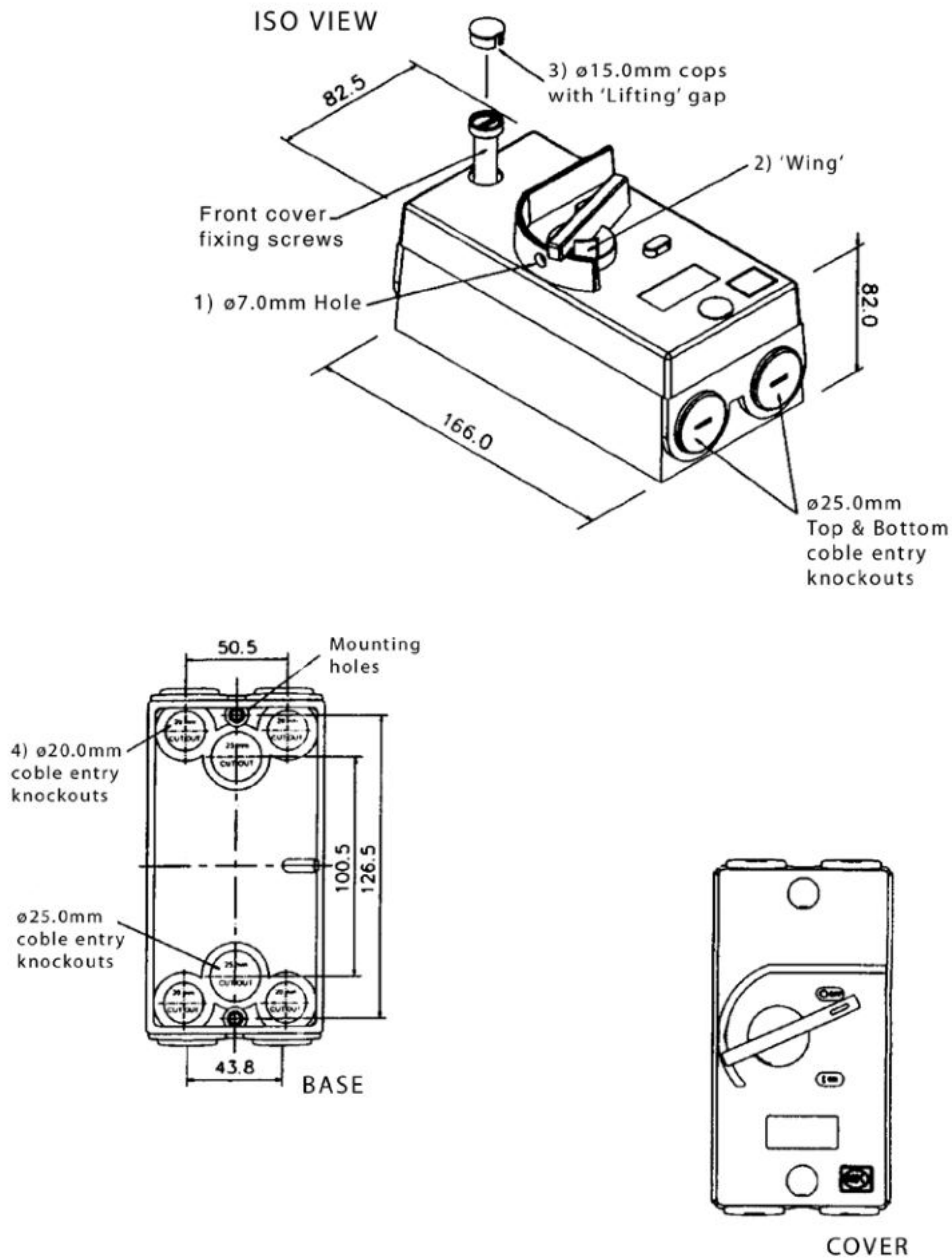
2-Pole and 4-pole construction

To ensure isolation of all live supply conductors from the circuit concerned, all poles are isolated. In addition, the isolating distance complies to requirement of IEC 60947 and that the position of contact is clearly and reliably indicated.

MK Switch - Isolators

surface | wiring devices

DIMENSIONS



Distributed By

Choo Chiang Marketing Pte Ltd

(a subsidiary of Choo Chiang Holdings Ltd)

Tel: +65 6368 5922 | fax: +65 6363 5922

Head Office: 10 Woodlands Loop S(738388)

website: www.choochiang.com | facebook: facebook.com/choochiang.sg



CHOO CHIANG

SINGAPORE
QUALITY CLASS



*biz*SAFE₃

ISO9001
CERTIFIED



by Honeywell