



**ECORE SR**

Decorative Wiring Devices

# Switch on to style, simplicity and reliability



ECORE SR is a line up of high quality wiring devices that is engineered to be reliable and suitable for all wiring devices needs of any residence while staying true to MK Electric's hallmark of unparalleled safety in terms of features. It's stylish, modern and able to compliment any modern architecture perfectly.



## 1. Screwless aesthetic design

It is modular and provides flexibility in installation with its unique screwless design.

## 2. Manufactured from high quality materials

Made of durable polycarbonate plastic and is available in basic essential white.

## 3. Fully compliant with MS/BS/IEC standards

Ecore SR is the ideal choice for residential and replacement market.





## WIDE ROCKER SWITCHES



**E4781 W1 WHI (1 way)  
E4781 WHI (2 way)**  
1 gang 10AX  
Wide Rocker SP Switch



**E4782 W1 WHI (1 way)  
E4782 WHI (2 way)**  
2 gang 10AX  
Wide Rocker SP Switch



**E4783 WHI**  
3 gang 10AX  
Wide Rocker SP  
2 way Switch



**E4778B WHI**  
1 gang 10A  
1 Way Push Switch  
with 'BELL' Symbol



**E4787N WHI (1 way)  
E4725 WHI (2 way)**  
1 gang 20AX DP Switch  
with Neon

## SOCKET OUTLETS



**E2757SR WHI**  
1 gang 13A  
SP Switched Socket Outlet



**E2747SR WHI**  
2 gang 13A  
SP Switched Socket Outlet



**E2893SR WHI**  
1 gang 15A  
SP Switched Socket Outlet

## CONNECTION UNITS



**E1090SR WHI**  
25A Connection Unit with Front Flex Outlet



## VOICE / TV OUTLETS



**E3520SR WHI**  
Single Non-Isolated Outlet



**E3521SR WHI**  
Single Isolated Outlet



**E3522SR WHI**  
Double TV/FM Isolated



**E3529SR WHI**  
Cable TV 'F' Type Connector



**E3553SR WHI**  
TV/FM & Satellite  
(Non-Isolated) Triplexer Socket



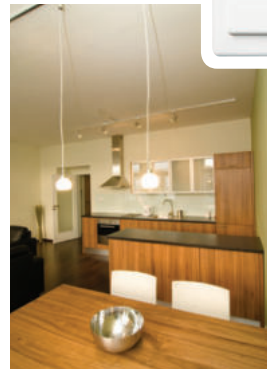
**E4817SR WHI**  
1 gang RJ11 American Type



**E4810SR WHI**  
10 Way Telephone Connector



**E3527SR WHI**  
2 gang TV/FM Outlet come with Isolator  
(Starhub Approved)



## DATA OUTLETS AND ACCESSORIES



**E5450SRNE WHI**  
1 gang Euro Plate - 1 Module



**E5451SRNE WHI**  
1 gang Euro Plate - 2 Module



**E3827SR WHI**  
1 gang Blank Plate



## DATA OUTLETS AND ACCESSORIES



**EX5452 WHI**  
1 Module Blank Plate  
(For use with  
E5450SRNE WHI/  
E5451SRNE WHI)



**EX5453 WHI**  
Adaptor RJ45 &  
RJ11 Jacks  
(Suit CAT 5/CAT 6)



**SX5454**  
RJ45 CAT 5e Jack



**SX5455**  
RJ11 Jack



**SX5457**  
RJ45 CAT 6 Jack



**EX5456A WHI**  
Angular RJ45  
Jack Adaptor  
(Singapore version)



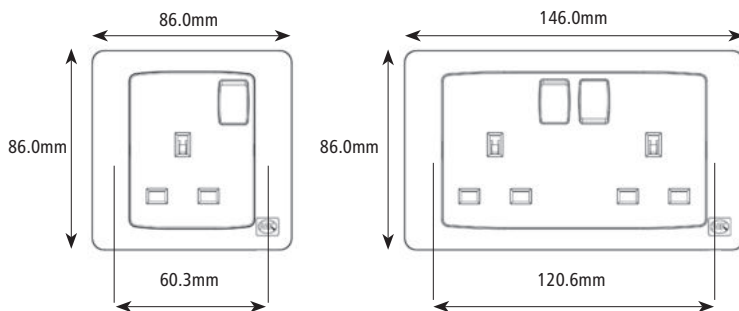
**SX5457A**  
RJ45 CAT 6 Jack  
(Singapore version)

## CONFORM TO INTERNATIONAL STANDARDS

The products are manufactured in an ISO 9002 environment and comply to British/IEC, Malaysia and Singapore standards.

	British Standard/IEC	Malaysia Standard	Singapore Standard
10A SP 1 Way /10AX SP 1 Way & 2 Way Switches	IEC/BSEN 60669	MS IEC 60669	SS 227
13A Socket Outlets	BS 1363	MS 589	SS 145
20AX DP Switches	IEC/BSEN 60669	MS IEC 60669	SS 227
15A SP Switched Socket	BS 546	MS 1577	SS 472
25A Connection Unit	BS 5733	-	-
Data Communication Outlets	BS 5733	-	-
RJ 11 American Type Telephone Socket (4 Wire)	-	-	TAS TS L2-1

## PRODUCT DIMENSIONS



Distributed By

**Choo Chiang Marketing Pte Ltd**

(a subsidiary of Choo Chiang Holdings Ltd)

Tel: +65 6368 5922 | fax: +65 6363 5922

Head Office: 10 Woodlands Loop S(738388)

website: [www.choochiang.com](http://www.choochiang.com) | facebook: [facebook.com/choochiang.sg](https://facebook.com/choochiang.sg)



**CHOO CHIANG**

SINGAPORE  
QUALITY CLASS



**bizSAFE<sub>3</sub>**

**ISO9001  
CERTIFIED**