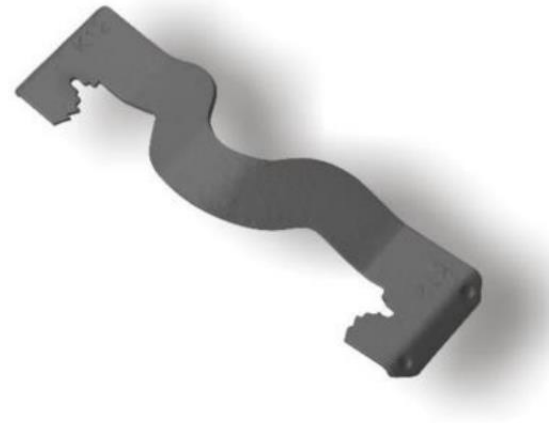


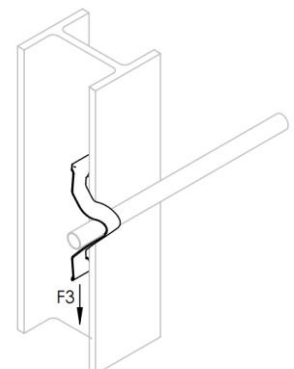
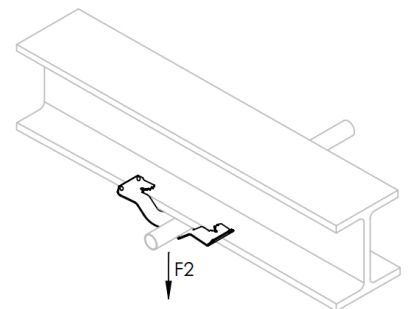
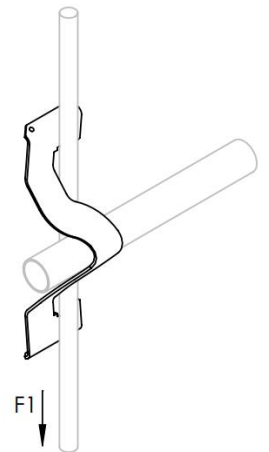
# K-12 CONDUIT CLIP



K12

## Product Info

Supports conduit to rod, wire or flange
Can also be used for flexible metallic tubing, armored cable, portable cables, control tubes and communications cable
Available for EMT, rigid, ENT, IMT, MC/AC and aluminum conduit
No installation tools required
Material: Spring Steel



## Stock code

No.	Description
CLPCK12.CCM	CCM K-12 CONDUIT CLIP

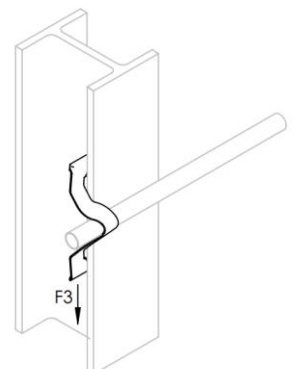
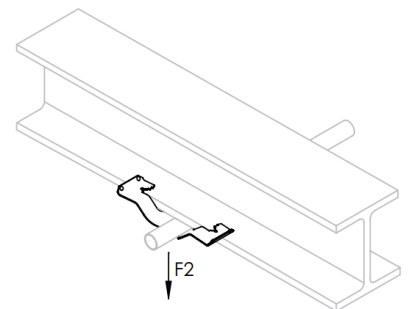
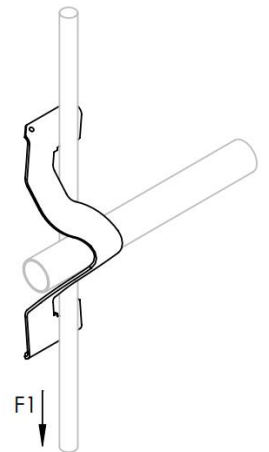
# K-16 CONDUIT CLIP



K16

## Product Info

Supports conduit to rod, wire or flange
Can also be used for flexible metallic tubing, armored cable, portable cables, control tubes and communications cable
Available for EMT, rigid, ENT, IMT, MC/AC and aluminum conduit
No installation tools required
Material: Spring Steel



## Stock code

No.	Description
CLPCK16.CCM	CCM K-16 CONDUIT CLIP