



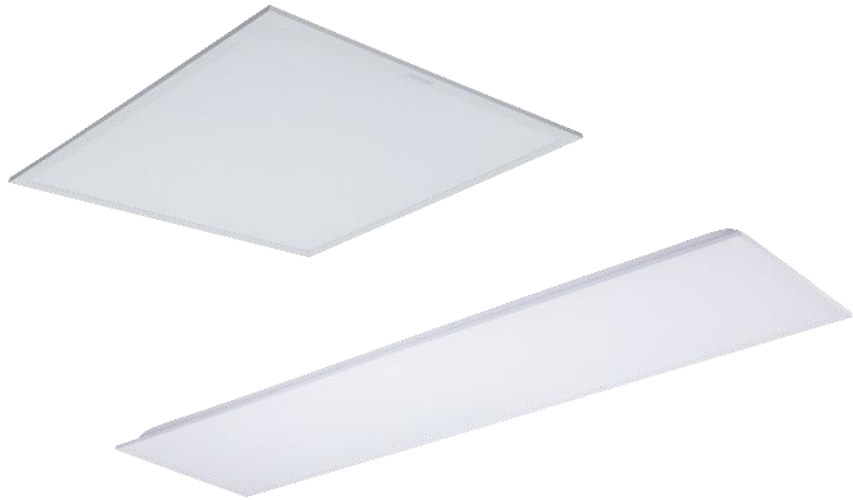
Smart Bright Direct Panel RC048



SmartBright Direct lit Panel RC048

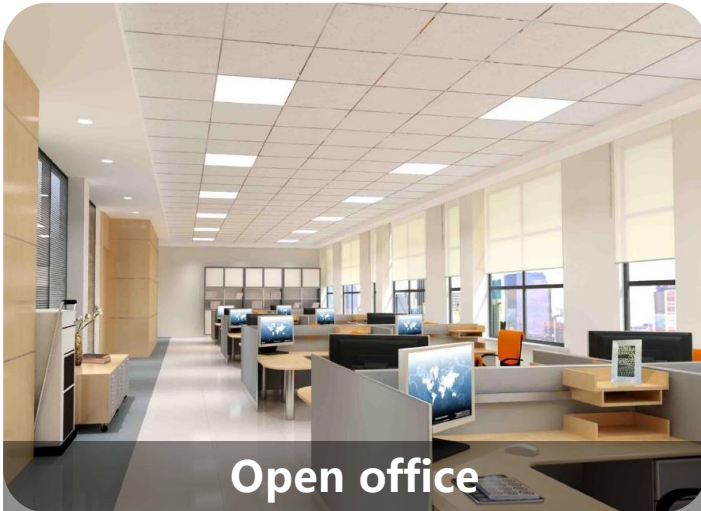


Best value LED Panel

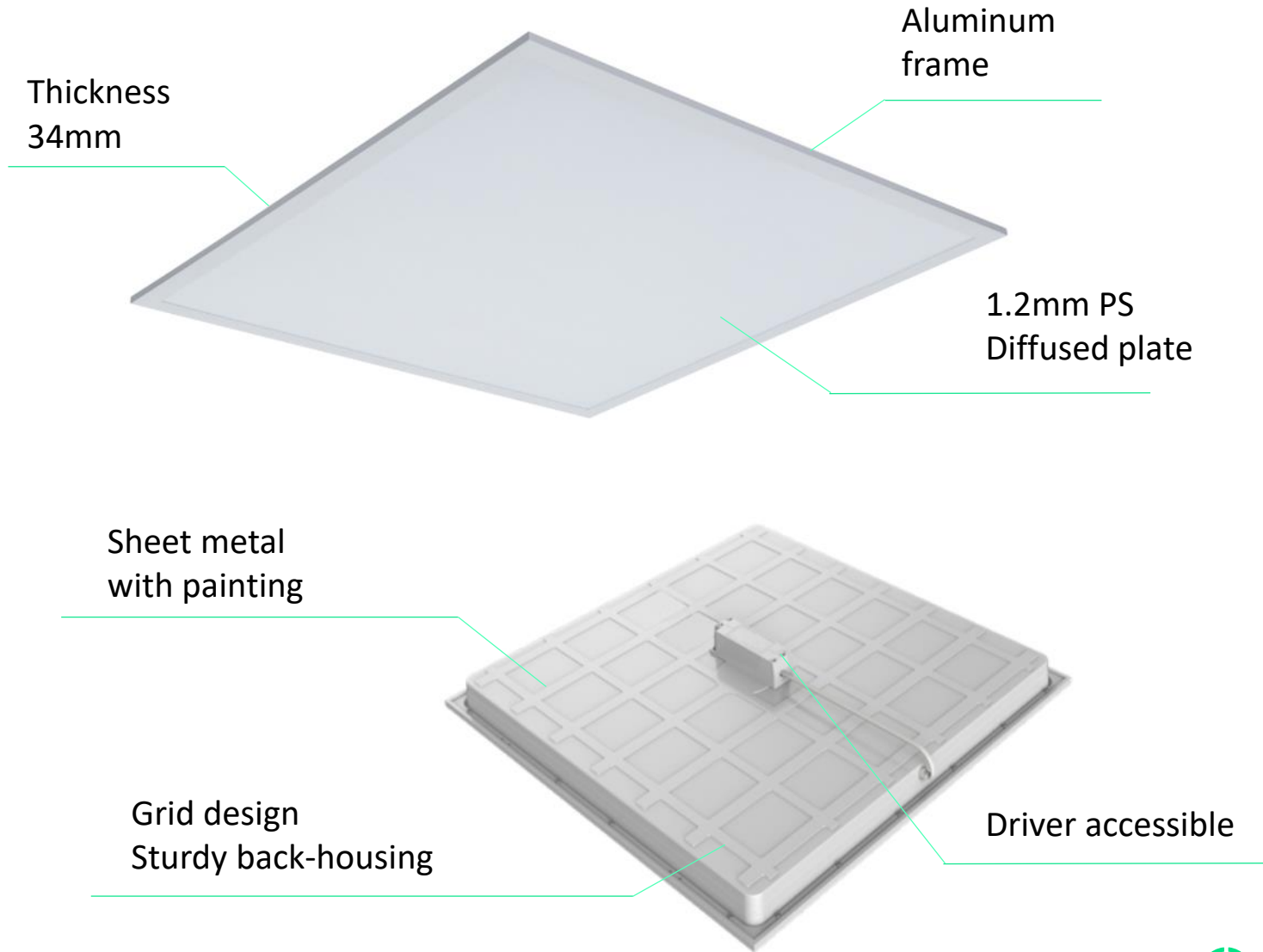


- Value for Money – 25% cheaper than Edge lit Panel
- Comfort light experience – High quality PS plate provides good uniformity and no Yellowish risks
- Flicker Free – Ripple current < 5% and Pst<1.0/ SVM< 1.6
- Long lifetime – 30Khrs @L70B50
- Usage flexibility – Suits for recessed, surface and suspension application

Application



Product Details

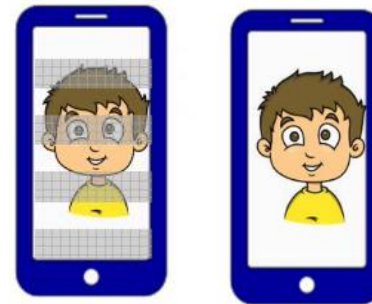


Comfort light experience

- ❑ 3800lm, brighter with more light



- ❑ Non-flickering



- ❑ Anti-glare, UGR<22



- ❑ LED with individual lens, better lighting distribution



Usage flexibility



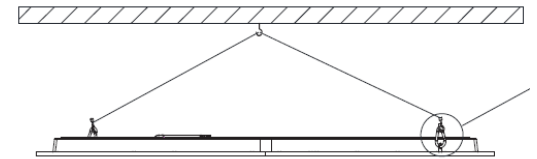
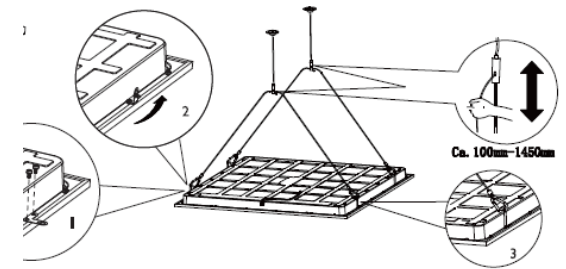
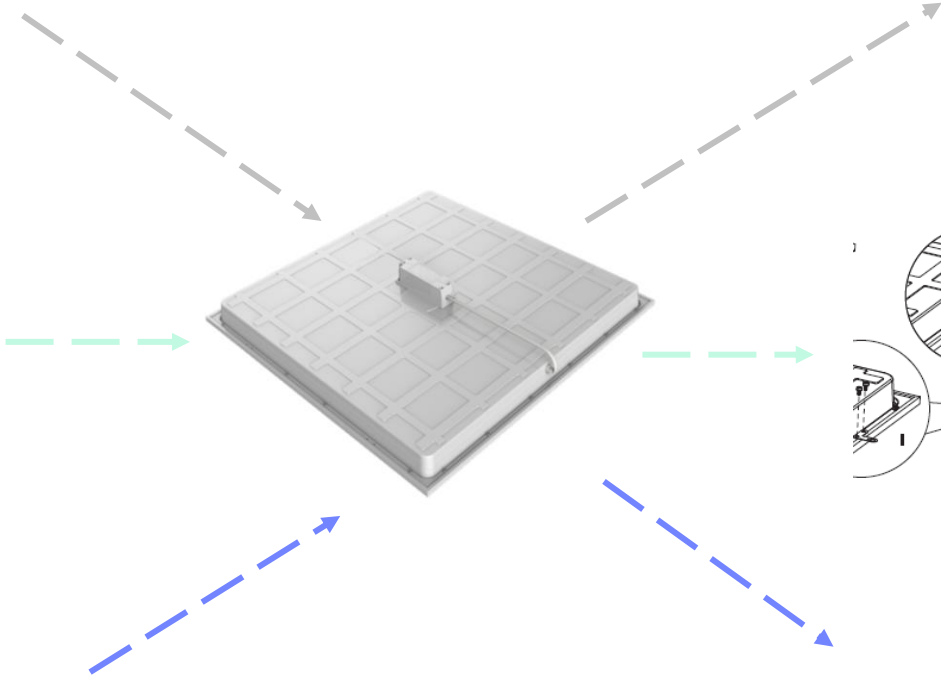
RC048Z SMB-PLC



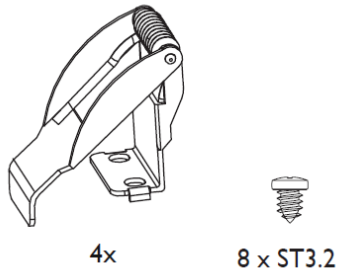
RC048Z SME-2



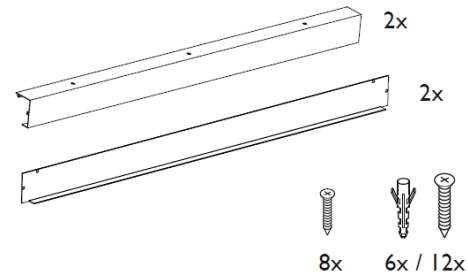
RC048Z SC



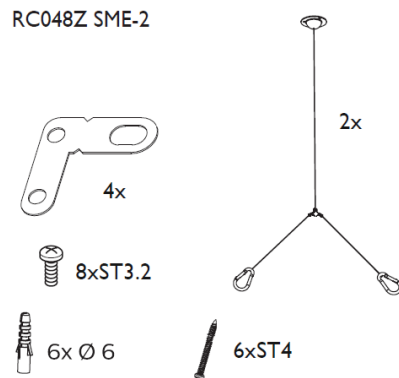
Accessory



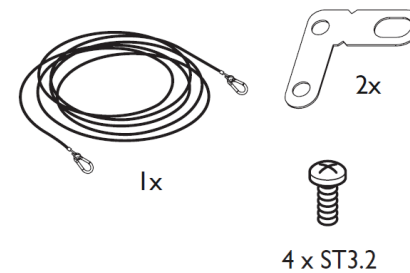
PVC clips for plaster ceiling
RC048Z SMB-PLC
911401824580



Surface mounted frame
911401867282 : Panel SMB W30L120 H7
911401724282 : Panel SMB W60L60 H7



Suspension kit
RC048Z SME-2
911401824680



Safety string
RC048Z SC
911401824780

Specification

Model	W60L60	W30L120	W60L120
Dimensions	597x597mm	297x1197mm	597x1197mm
Power	42W		50W
System lumens	3800lm		5100lm
System efficacy	90 lm/W		102 lm/W
CCT		4000K/6500K	
CRI		≥80	
SDCM		≤5	
Beam angle		120°	
IP / IK rating		IP20/IK02	
Operating temperature		-10°C to +35°C	
Lifetime		30000 hrs (L70), 3 Years Warranty	
Input voltage		220-240V, 50/60Hz	
Power factor		>0.9	
Electrical class		Class II	
Surge Protection		Follow IEC60598	
Driver		Fixed Output	
Mounting type		Recessed / PCV /Suspension	
Housing colour		RAL9003 (ΔE<2)	
Material		Frame: Aluminum; Diffuser: PS Plate Back plate: Metal sheet with painting	
Packaging		6 in 1 with brown box (Vertical stack)	
Certification		CB + EMC	
Applications	General building installations - offices, commercial buildings, education facilities, retail outlets etc.		

Product Order Info

MOQ:
252 PCS

Commercial Code	Product Description	Comment
911401845182	RC048B LED38S/840 PSU W60L60 GM	4pcs in 1 master box, no individual inner box
911401845282	RC048B LED38S/865 PSU W60L60 GM	4pcs in 1 master box, no individual inner box
911401845382	RC048B LED38S/840 PSU W30L120 GM	4pcs in 1 master box, no individual inner box
911401845482	RC048B LED38S/865 PSU W30L120 GM	4pcs in 1 master box, no individual inner box
911401845582	RC048B LED50S/840 PSU W60L120 GM	4pcs in 1 master box, no individual inner box
911401845682	RC048B LED50S/865 PSU W60L120 GM	4pcs in 1 master box, no individual inner box

@signify

Distributed By:

Choo Chiang Marketing Pte Ltd

(a subsidiary of Choo Chiang Holdings Ltd)

did: +65 6368 5922 | fax: +65 6363 5922

Head Office: 10 Woodlands Loop S(738388)

website: www.choochiang.com | facebook: facebook.com/choochiang.sg



SINGAPORE
QUALITY CLASS



ISO 9001
CERTIFIED